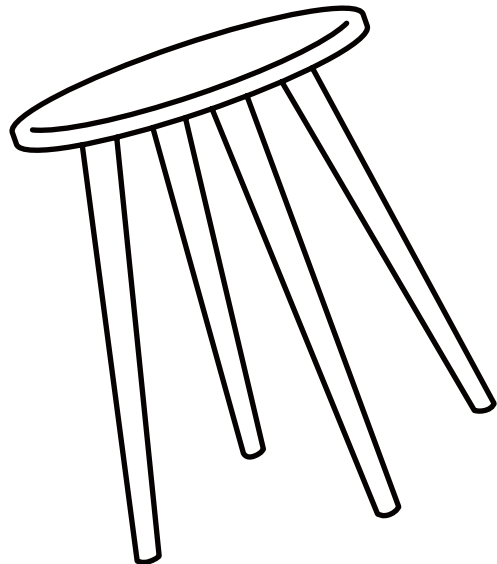
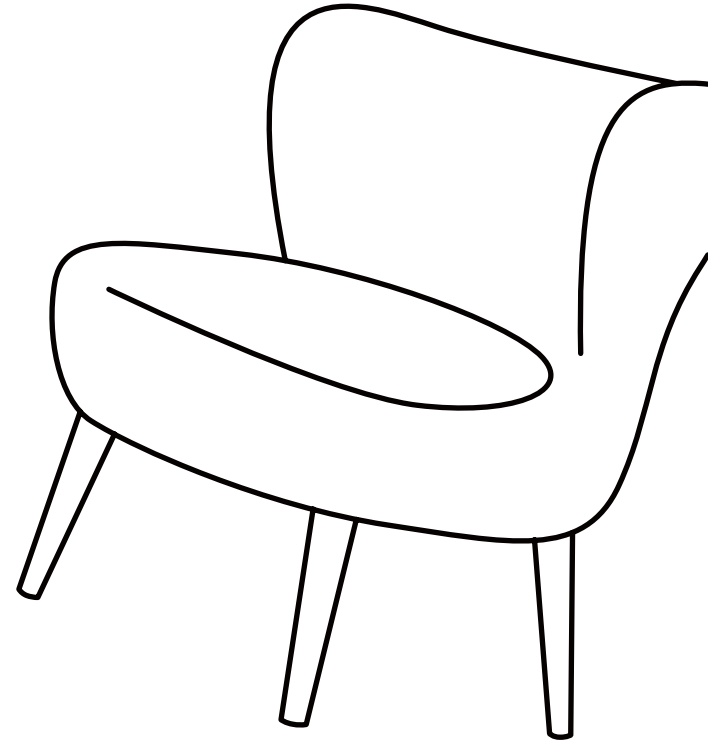
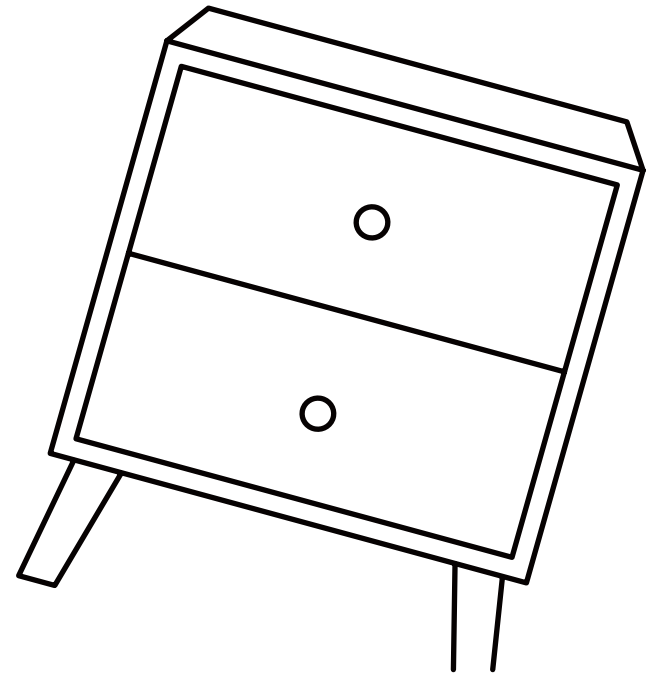


**Hello,
I've arrived!**

Now that I'm here you are only one
flat-pack away from transforming
your home.



Mocka.



Thank you for supporting us.

We believe design belongs to everyone. From materials and processes to safety testing, production and delivery, we are passionate and committed to bringing you the best possible product so you can create beautifully functional spaces to feel comfortably you.

Here are a few assembly tips before you get started:



Make Time

The first step to all seamless assembly is taking a moment to carefully read through the instructions—you are already on your way to creating a beautifully functional space!



Set The Mood

Put on your favourite playlist, order that pizza and pour yourself a drink to get in the mood!



Tool Check

Layout the instructions, screws and panels to check you have everything you need. A blanket or soft floor rug will help protect your new favourite item from scratches and a drill will speed up the assembly too!



Room Reveal

You did it! Take a step back and enjoy the moment. Don't forget to recycle any packaging and share a pic of your room reveal - we love seeing how you transform your home! **Tag us @mockaaustralia/@mockaanz**








Happy flat-packing!

The Mocka Team

Need help? Our Support Team are available via live chat, email or phone. Visit our website for details.

Contemporary Dining Chair

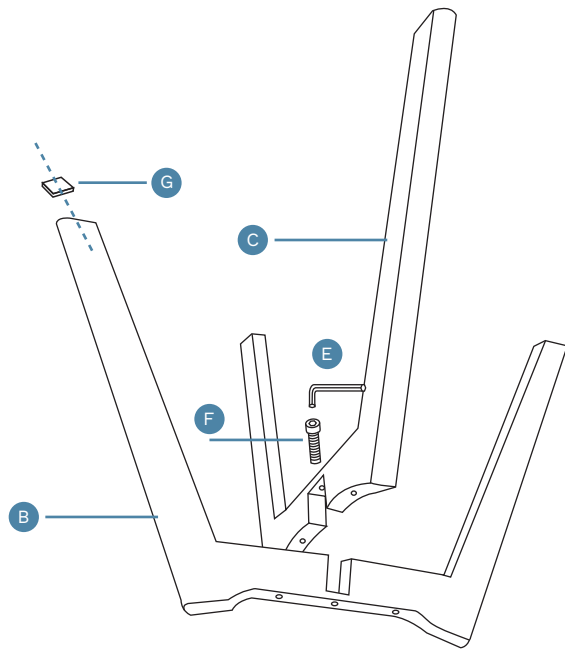
Thank you for purchasing Contemporary Dining Chair. Please follow the manufacturer's assembly instructions in detail.

A	B	C	D	E	F
					
x1 chair	x1 leg	x1 leg	x4 bolt	x1 allen key	x1 bolt
G					
					
x4 foot pads					
HARDWARE SUPPLIED					



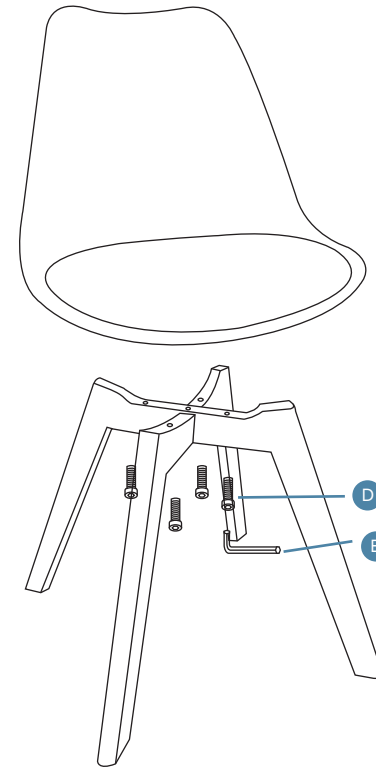
Contemporary Dining Chair

1



Attach 1 x leg (B) and 1 x leg (C) together as shown and secure with 1 x bolt (B) and 4 x foot pads (G). Tighten with an Allen Key (E).

2



Attach assembled legs to chair as shown and secure with 4 x bolts (D). Tighten with an Allen Key (E).

Contemporary Dining Chair

3



Once assembled lift furniture into place, do not drag. Ensure unit is balanced and steady before use. You're done, enjoy!